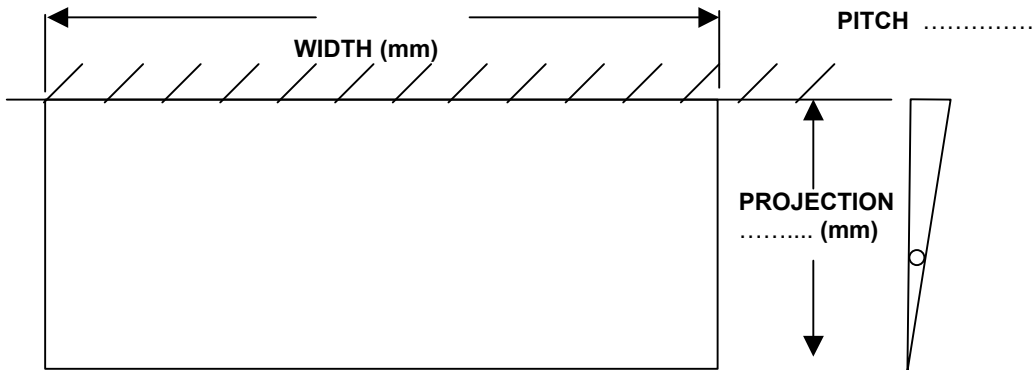


## POLYTEC LEAN-TO ROOF OFFICIAL ENQUIRY / ORDER FORM

Name: ..... Date of Enquiry: ..... Your Ref: .....  
 Account Ref: ..... Date of Order: .....  
 Tel No: ..... Fax No: ..... Purchase Order No: .....  
 Delivery Address: ..... Delivery Date Required: .....

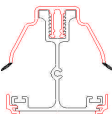
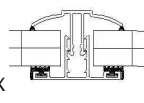
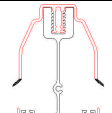
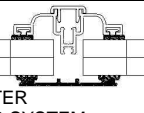
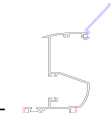
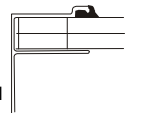
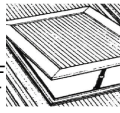
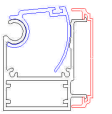
ALL DIMENSIONS IN mm / **EXTERNAL FRAME SIZES UNLESS SHOWN OTHERWISE**



**NOTE:** Self Supporting glazing System :- sheets and glazing bar will be supplied in standard sizes in accordance with EDVIC'S 'lean to' Roof Matrix – Picking List

**NOTE:** Rafter Supported Glazing System:- Please specify approx centres required. You will be supplied the nearest stock sheet size, plus standard length glazing bars as specified

Approx Glazing Centres ..... mm

POLYCARBONATE SHEET COLOUR	SELF SUPPORTING GLAZING SYSTEM	RAFTER SUPPORTED GLAZING SYSTEM	GLAZING BAR COLOUR	ADDITION INFORMATION
<input type="checkbox"/> CLEAR	<input type="checkbox"/> POLYTEC 70 BAR 	<input type="checkbox"/> PVC/ALI SNAP FIX SYSTEM 	<input type="checkbox"/> WHITE	
<input type="checkbox"/> BRONZE			<input type="checkbox"/> BROWN	
<input type="checkbox"/> OPAL	<input type="checkbox"/> POLYTEC 85 BAR 	<input type="checkbox"/> ALI RAFTER CAPPING SYSTEM 	<input type="checkbox"/> MAHOGANY	
<input type="checkbox"/> ATHERMIC			<input type="checkbox"/> GOLDEN OAK	
<input type="checkbox"/> BRONZE/OPAL	<input type="checkbox"/> FULL VARIABLE WALLPLATE 	<input type="checkbox"/> ALI 'F' SECTION 	<input type="checkbox"/> ROOF VENT 	
POLYCARBONATE THICKNESS <input type="checkbox"/> 10MM <input type="checkbox"/> 16MM <input type="checkbox"/> 25MM	<input type="checkbox"/> VARIABLE EAVES BEAM 	<b>GUTTERPACK</b> <input type="checkbox"/> 4M GUTTER PACK <input type="checkbox"/> 6M GUTTER PACK		
SIGNATURE OF ACCEPTANCE: .....		PRINT NAME: .....		